



Izerwaren order numbers

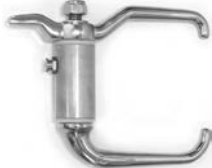
Stainless steel hatch fasteners and Toggle devices
• seawater resistant

- 44.221 Toggle device (221) Left hand (depicted in picture)
44.222 Toggle device (222) Right hand Medium duty
Lever: 110 mm - 4 5/16" distance brackets: 75 mm - 3" Polished 304 stainless steel

ORDER SEPARATELY:

- 44.6219 Strike plate 80 x 30 mm 316 stainless steel
43.142 Strike plate with lip 100 x 28 mm 316 stainless steel
43.943 Strike wedge 3 3/8" x 3/4" x 3/4" 85 x 20 x 20 mm 304 stainless steel.

- 44.9411 Toggle device Extra heavy duty 316 stainless steel door toggle, both sided aluminum bush with nylon bearing with 1/8" hole for grease nipple lever 6 1/2"; total 9 1/2" long, bush OD: 45 mm 1 25/32" Ø with aluminum bush 73 mm long



44.940 #44.9411 see page 4-4-A



44.9402 #44.9412 see page 4-4-B



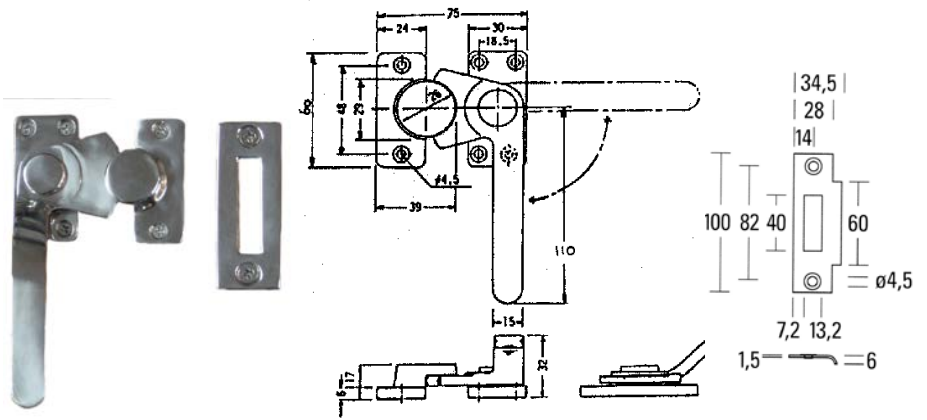
44.9403 #44.9413 see page 4-4-C



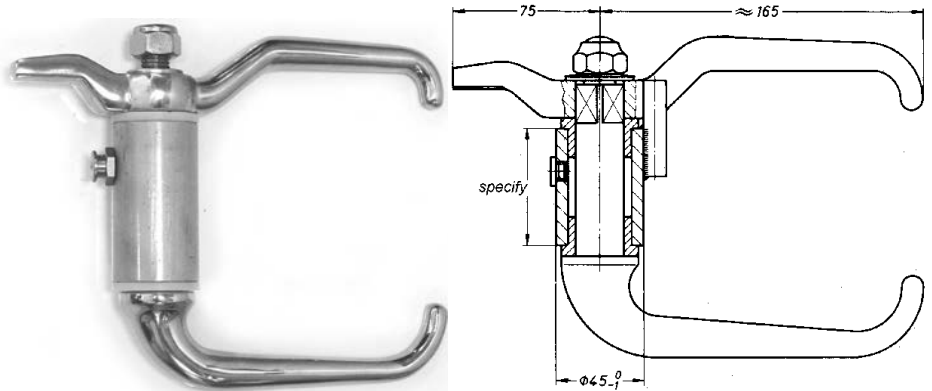
44.9404 #44.9404 see page 4-4-D

- 44.130 Toggle device, single sided Medium duty 304 stainless steel door toggle, See page 4-4-0-H

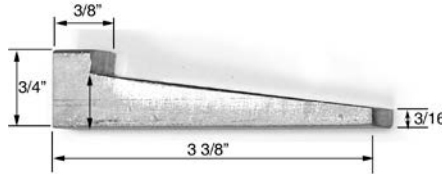
- 44.131 Toggle device, double sided Medium duty 304 stainless steel door toggle, See page 4-4-0-H



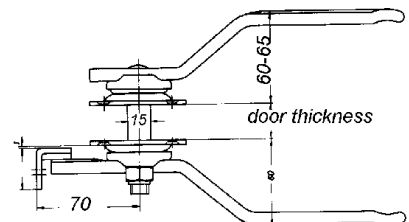
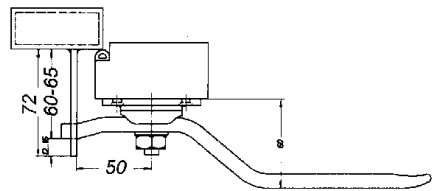
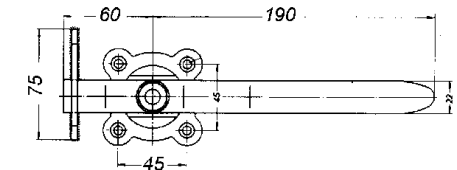
Left Hand Right Hand
#44.221 304 stainless steel dogging device for hatches & doors. Strike 43.142 w. lip
#44.6219 size: 80 x 30 x 3 mm no lip (picture) Flat strikes allow for angle mounting
#43.142 Strike with lip 28 x 100 x 1.5 mm



#44.9411 Extra heavy duty 316 stainless steel door toggle device with aluminum bushing 73 mm



#44.943 Strike wedge



#44.131 Door toggle; double sided, for door thickness: 50 mm or 2 inch in stock. Medium duty.



izerwaren
order
numbers

Stainless steel Toggle Device
• 316 stainless steel
• Seawater resistant
• also available in mild steel

Toggle device, both sided

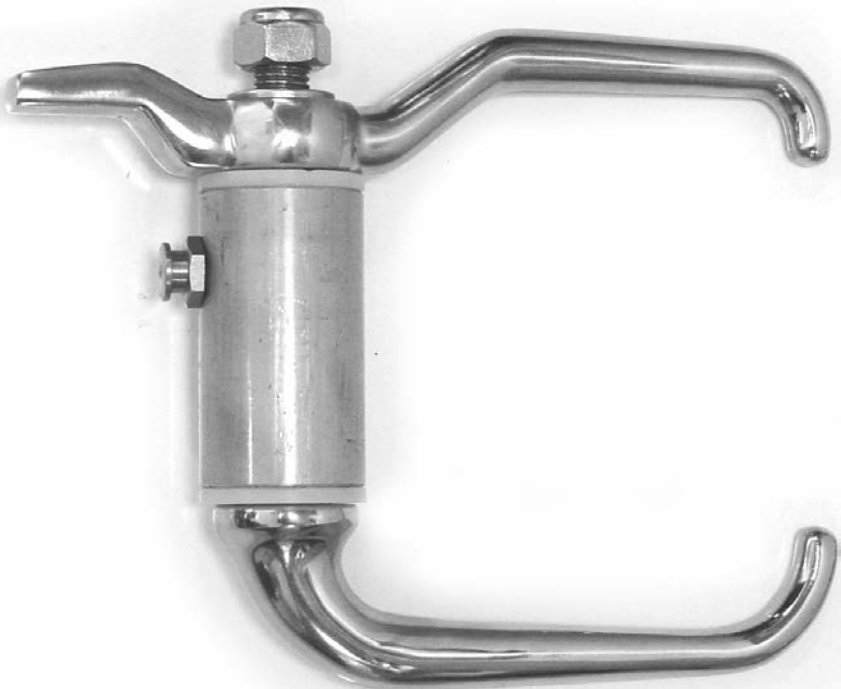
Extra heavy duty
316 stainless steel door toggle,
Includes:

- Toggle Lever;
- Back lever with shaft;
- aluminum bushing with
- nylon bearing and M10 grease
- M10 grease nipple
- stainless steel washer
- M16 locknut

Toggle lever from center: 6 1/2";
Overall: 9 7/16" long,
bushing OD: 45 mm or 1 3/4" Ø
length aluminum bushing 73 mm

44.9411 **SET as above without stop**
44.9401 **SET as above with stop**

44.943 **Strike /wedge**
85 x 20 x 20 mm
304 Stainless steel
Weld on



#44.9411 Extra heavy duty 316 stainless steel door toggle **WITHOUT STOP** with aluminum bushing. Bushing standard length: 2 7/8" inch long; 1 3/4 inch diameter
Toggle lever: 9 7/16" long



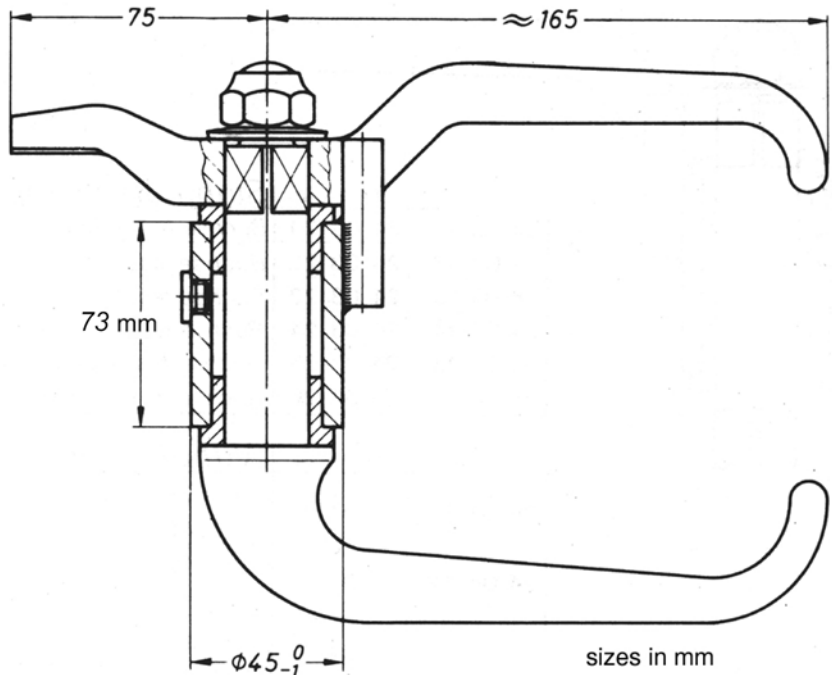
#44.9412 see page 4-4-B



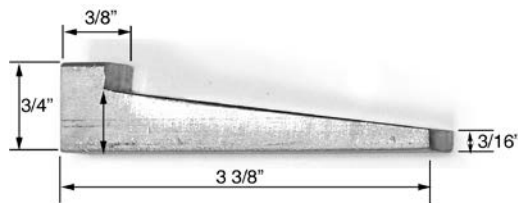
#44.9413 see page 4-4-C



#44.9404 see page 4-4-D



#44.9401 Extra heavy duty 316 stainless steel door toggle with aluminum bushing 73 mm. Bushing standard length: 2 7/8" inch long; 1 3/4 inch diameter. Drawing showing With Stop. Toggle lever: 9 7/16" long



#44.943 Wedge / strike 3 3/8 inch X 3/4 inch X 3/4 inch wide; 304 stainless steel.



Izerwaren
order
numbers

Stainless steel Toggle Device

- 316 stainless steel
- also available in mild steel
- Seawater resistant

Toggle device, single side

Extra heavy duty
316 stainless steel door toggle
Includes:

- Toggle Lever;
- Shaft with M16 thread and square end 3/4 inch;
- aluminum bushing with nylon bearing
- M10 grease nipple
- stainless steel washer
- M16 locknut

Toggle lever from center: 6 1/2";
Overall: 9 7/16" long.

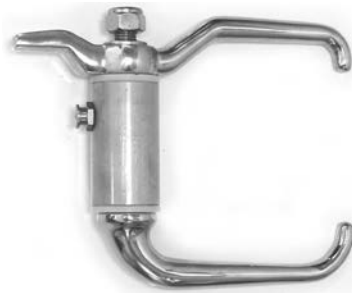
Bushing OD: 45 mm or 1 3/4" Ø
length aluminum bush 73 mm or 2 7/8"

- 44.9412 SET without stop
- 44.9402 SET with stop

44.943 **Strike /wedge**
85 x 20 x 20 mm
Weld on type.
304 Stainless steel



#44.9412 Extra heavy duty 316 stainless steel door toggle one sided **NO STOP** with square nut on reverse side. Nut: 3/4" square. With aluminum bushing.
Bushing standard length: 2 7/8 inch long; 1 3/4 inch diameter
Toggle lever: 9 7/16" long



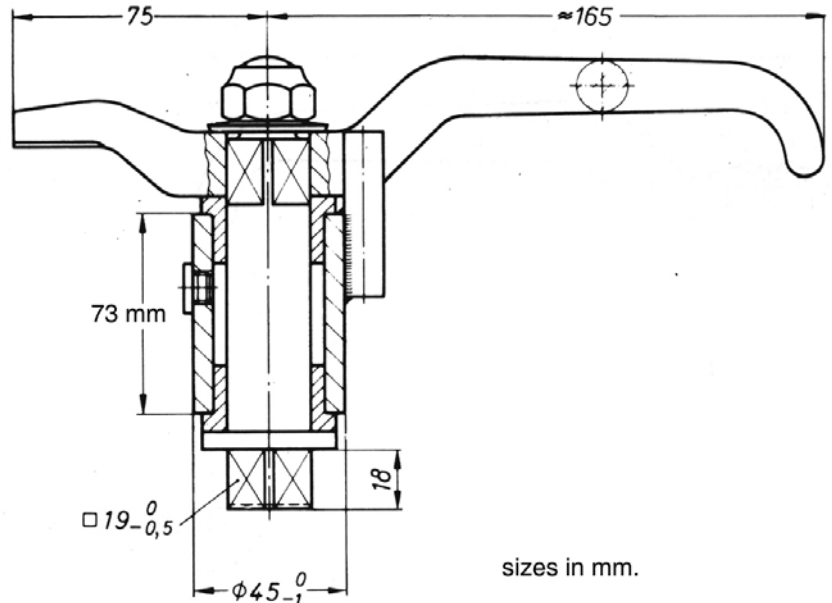
#44.9411 see page 4-4-A



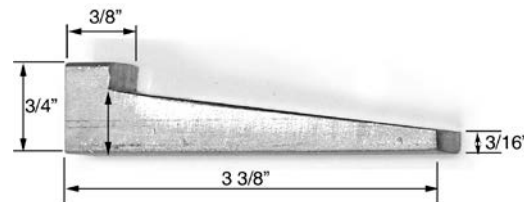
#44.9413 see page 4-4-C



#44.9404 see page 4-4-D



#44.9402 Extra heavy duty 316 stainless steel door toggle one sided. Square nut on reverse side. Drawing showing with end stop. Nut: 3/4" square. With aluminum bushing.
Bushing standard length: 2 7/8 inch long; 1 3/4 inch diameter
Toggle lever: 9 7/16" long



#44. 943 Wedge / strike 3 3/8 inch X 3/4 inch X 3/4 inch wide. 304 stainless steel



Izerwaren
order
numbers

Stainless steel Toggle Device
• 316 stainless steel
• also available in mild steel
• Seawater resistant

Toggle device

Extra heavy duty
316 stainless steel door toggle,
both sided; includes:

- Toggle Lever;
- Shaft with M16 thread;
- aluminum bushing with
- nylon bearings
- M10 grease nipple
- Stainless steel washer
- M16 locknut

Toggle lever from center: 6 1/2";
Overall: 9 7/16" long,

bushing OD: 45 mm or 1 25/32" Ø
with aluminum bush 73 mm

- 44.9413 SET as above without stop
- 44.9403 SET as above with stop

44.943 **Strike /wedge**
85 x 20 x 20 mm
Weld on.
304 Stainless steel



#44.9413 Extra heavy duty 316 stainless steel door toggle one sided **WITHOUT STOP**.
With aluminum bushing.
Bushing standard length: 2 7/8 inch long; 1 3/4 inch diameter
Toggle lever: 9 7/16" long



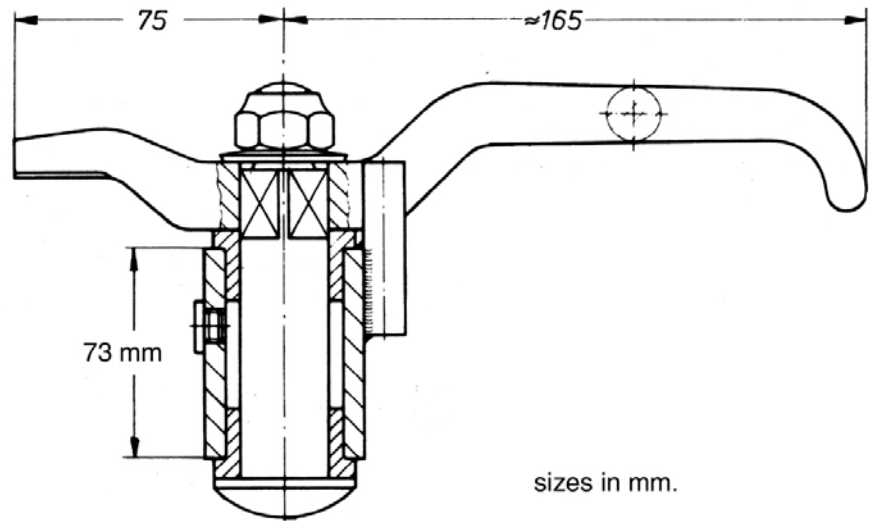
#44.9411 see page 4-4-A



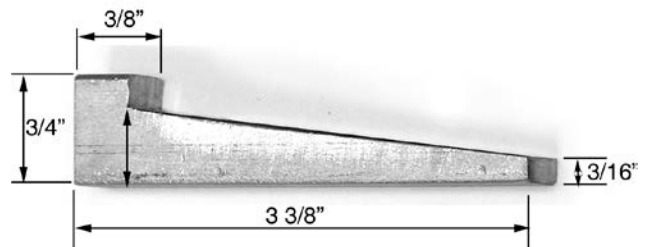
#44.9412 see page 4-4-B



#44.9404 see page 4-4-D



#44.9403 Extra heavy duty 316 stainless steel door toggle one sided **WITH STOP**.
With aluminum bushing.
Bushing standard length: 2 7/8 inch long; 1 3/4 inch diameter
Toggle lever: 9 7/16" long



#44. 943 Wedge / strike 3 3/8 inch X 3/4 inch X 3/4 inch wide
304 stainless steel



Izerwaren
order
numbers

Stainless steel Toggle Device

- 316 stainless steel
- also available in mild steel
- Seawater resistant

Toggle device

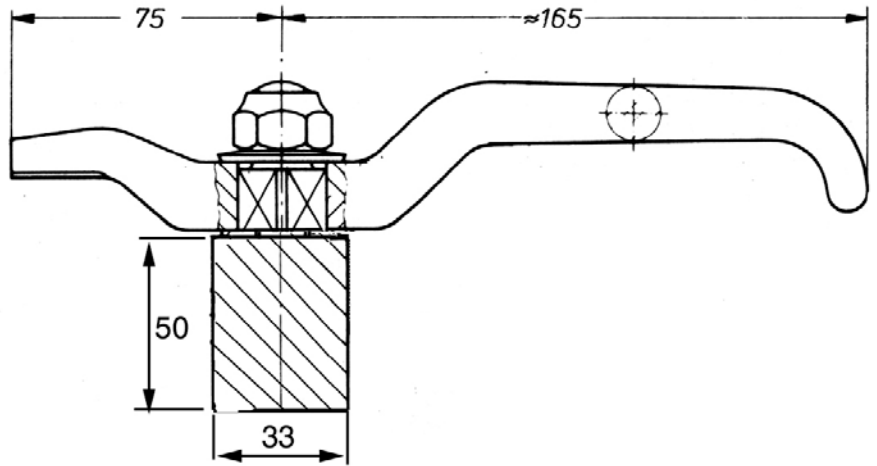
Extra heavy duty
316 stainless steel door toggle
Includes:

- Toggle Lever
- Bushing weld on
- M16 threaded end
- stainless steel washer
- M16 locknut

Toggle lever from center: 6 1/2";
Overall: 9 7/16" long,
Plug OD: 33 mm x 50 mm

44.9404 SET as above aluminum plug
44.9415 SET as above stainless steel plug

44.943 **Strike /wedge**
85 x 20 x 20 mm
Weld on.
304 Stainless steel

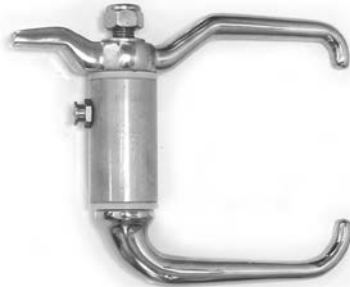


sizes in mm.

#44.9404 Extra heavy duty 316 stainless steel door toggle one sided.
Aluminum weld on bushing: 2 inch long; 1 1/2 inch diameter
Toggle lever: 9 7/16" long



#44.9404 Extra heavy duty 316 stainless steel door toggle one sided.
Aluminum weld on bushing: 2 inch long; 1 1/2 inch diameter
Toggle lever: 9 7/16" long



#44.9411 see page 4-4-A



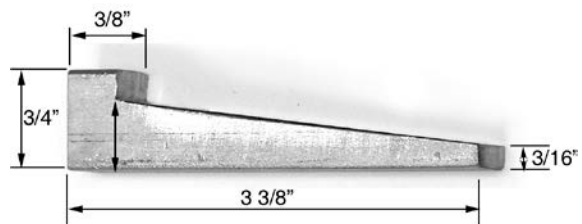
#44.9412 see page 4-4-B



#44.9413 see page 4-4-C



#44.9415 ALL STAINLESS STEEL Extra heavy duty 316 stainless steel door toggle one sided.
STAINLESS STEEL weld on bushing: 2 inch long; 1 1/2 inch diameter
Toggle lever: 9 7/16" long



#44.943 Wedge / strike 3 3/8 inch X 3/4 inch X 3/4 inch wide. 304 stainless steel



Izerwaren
order
numbers

Stainless steel Toggle Device
Spare parts

- 44.9443 Bushing OD: 73 x45 mm
aluminum
Fits in set #44.9402
- 44.9444 Bushing OD: 50 x33 mm
aluminum
Fits in set #44.9404
- 44.9445 Bushing OD: 50 x33 mm
stainless steel
Fits in set #44.9405
- 44.9446 Toggle lever 9 7/16" long
316 stainless steel
- 44.943 Strike /wedge
85 x 20 x 20 mm
Weld on type; 304 Stainless steel
- 44.944 Grease nipple M10 stainless steel
- 44.945 M16 lock nut stainless steel
- 44.946 M16 washer stainless steel
- 44.947 Nylon sleeves for alu. bushings
- 44.9448 Back lever with shaft, M16 thread



#44.9443
Aluminum bushing with nylon sleeves
73 X 45 mm
3 1/4 x 1 3/4 inch



#44.9444
Aluminum Plug
50 X 33 mm
2 x 1 1/2 inch



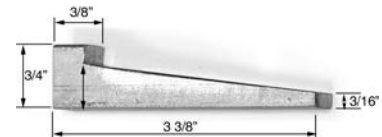
#44.9445
Stainless steel plug
50 X 33 mm
2 x 1 1/2 inch



#44.9411 see page 4-4-A



#44.944 Grease nipple M10
304 stainless steel



#44.943 Wedge / strike 304 stainless steel
3 3/8 inch X 3/4 inch X 3/4 inch wide



#44.9446 Toggle lever; 9 7/16" long 316 stainless steel



#44.9412 see page 4-4-B



#44.9413 see page 4-4-C



#44.9415 see page 4-4-D



#44.9448 Back lever with shaft and M16 thread
Lever 6 1/2" long. 316 stainless steel



Izerwaren
Order #

Stainless steel hatch fasteners
and Toggle devices. Medium duty:
• seawater resistant



44.129 **Toggle device** Left hand
single side
satin 304 stainless steel

44.130 **Toggle device** Right hand (depicted)
single side
satin polished 304 stainless steel

44.128L **Angle strike** LEFT



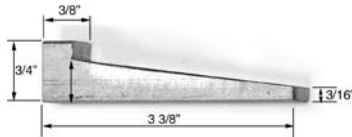
#44.128L left
304 stainless steel

44.128R **Angle strike** RIGHT



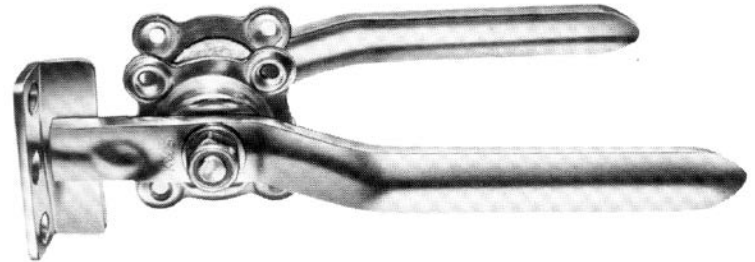
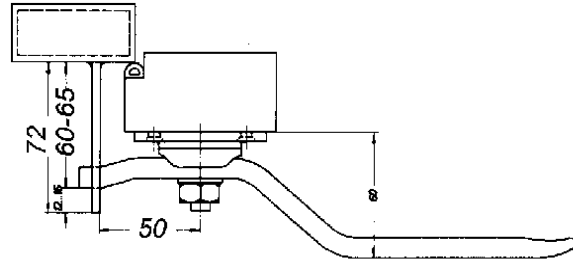
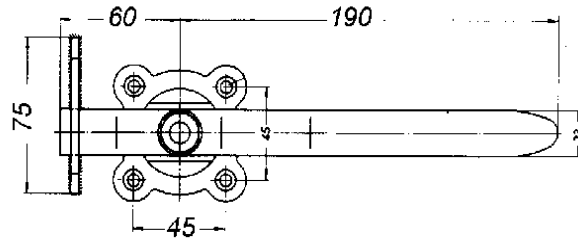
#44.128R right
304 stainless steel

44.943 **Weld on strike**



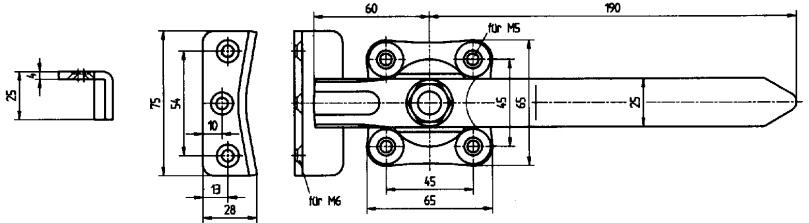
85 x 20 x 20 mm
3 3/8 inch x 3/4 inch x 3/4 inch wide
304 Stainless steel
Weld on

#44.130 Medium duty 304 stainless steel door toggle device (right hand)
Angle strike 44.128R

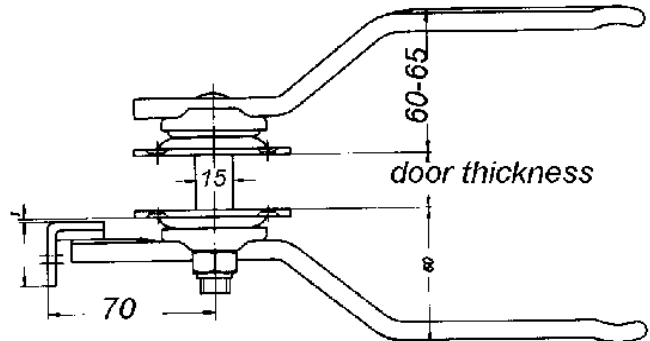
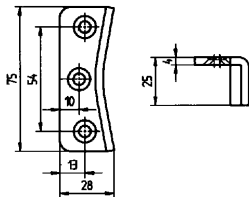


44.131 Medium duty 304 stainless steel door toggle device double sided strike 44.537

44.131 **Toggle device , double sided**
door thickness: 45-50 mm / 2 inch
Lever: 190 mm 7 1/2 inch
distance to locking plate: 70 mm 2 3/4 inch
satin polished 304 stainless steel
Felt washers included for roses
both handed



44.537 **Double strike**
For double sided door toggle #44.131





Izerwaren
Order
numbers

Stainless steel Toggle device

- sea water resistant

44.108 Door / Hatch Toggle (1108)

Heavy duty

316 stainless steel, electro polished

Handle for both sides of door

Backset 30 mm

Delron bush 30 mm ~ 1 3/64" diameter

Toggle stop plate 180 degree 38 x 100 mm

Length of handle: 165 mm ~ 6 1/2"

Distance from surface door: 50 mm ~ 2"

Door thickness: ~ 37 mm / 1 1/2"

Specify door thickness if different from 1 1/2"

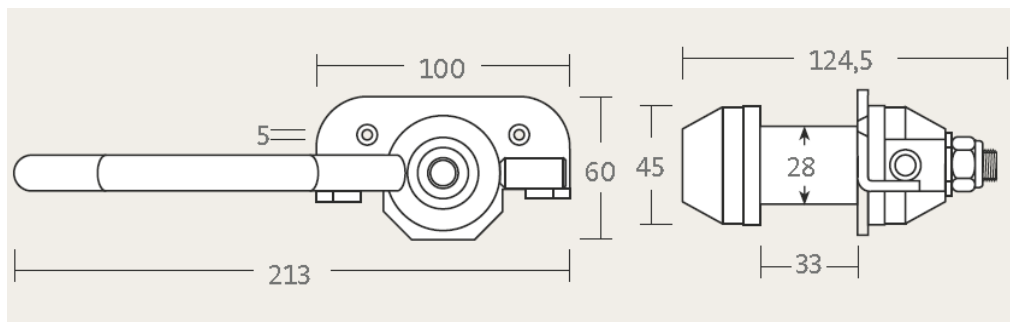
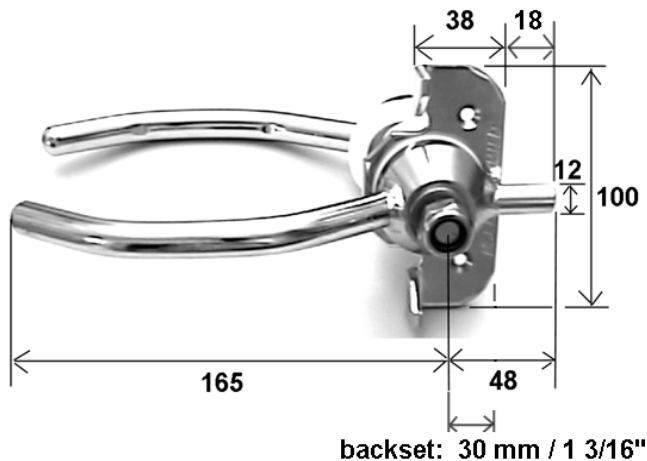
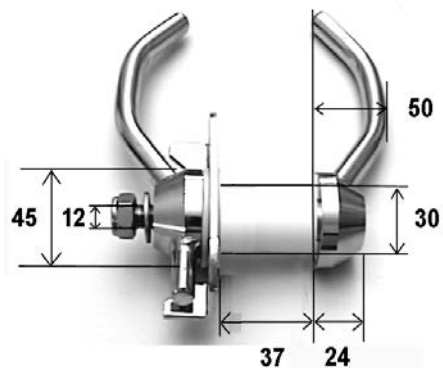
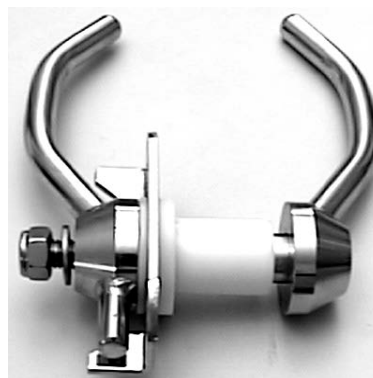


Heavy duty 316 stainless steel door toggle device

44.208 Delron filler washers

3 mm ~ 1/8" (1208)

44.308 6 mm ~ 1/4" (1308)



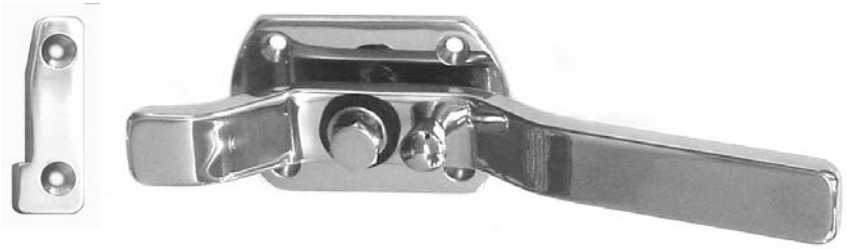


Izerwaren
part
number

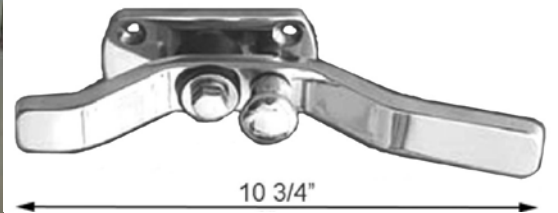
Toggle Devices
Bulwark door latches

- 44.831 Toggle device**
Stainless steel
10 3/4" x 3"
Locking with spring loaded pin. Both Handed
- 44.832 8" x 1 3/4"**
Locking with spring loaded pin. Both Handed
- 44.833 6" x 1 3/4"**
Locking with spring loaded pin. Both Handed

Stainless steel strike plate
order separately
Both handed



#44.831 Stainless steel toggle device 10 3/4" x 3". Locking with spring loaded pin.
 #44.832 Stainless steel toggle device 8" x 1 3/4". Locking with spring loaded pin.
 #44.833 Stainless steel toggle device 6" x 1 3/4". Locking with spring loaded pin.
 #44.013 Stainless steel strike Order separately (see picture "right angle" below



- 44.013L "Left"**
- 44.013R "Right"**
- Strike wedge
316 stainless steel



Illustration:

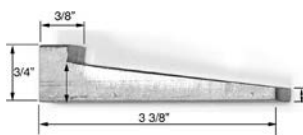
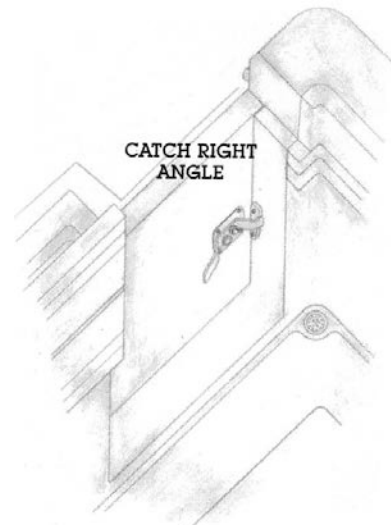
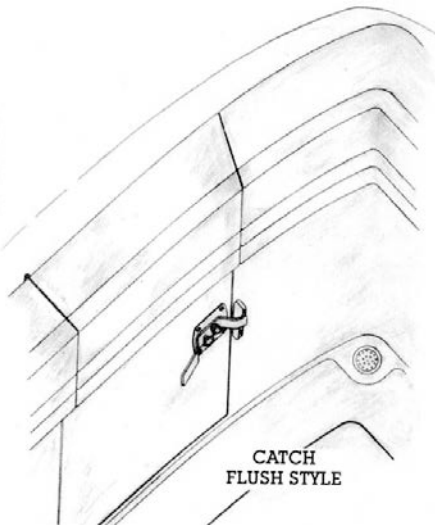
#44.831 Full size door toggle; 10 3/4 inch long



- 44.128L #44.128L left**
Angle strike
304 stainless steel



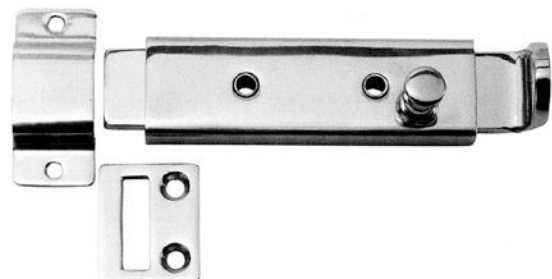
- 44.128R #44.128R right**
Angle strike
304 stainless steel



- 44.943 #44.943 Wedge strike**
3 3/8 inch x 3/4 inch x 3/4 inch wide
304 stainless steel
For weld on application

- 44.0604 Transom bolt**
Body: 4" x 1/4" x 1/2";
Throw: 7/8"

- 44.0605 Strike flush**
- 44.0606 Strike bend**



#44.0604 Transom bolt / barrel bolt; Body: 4" x 1/4" x 1/2"; Throw: 7/8"
Strike flush #44.0605; Strike bend # 44.0606

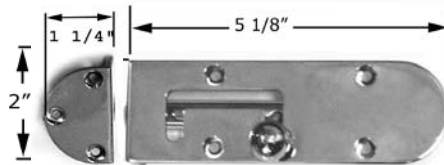


52.518 **Flush Bulwark / Barrel Bolt**
6 3/8" x 2" x 1"
Spring-loaded; Heavy duty
Build in depth: 3/4"
1/2" inch round bolt;
Extending 1 1/8"
316L stainless steel

Strike plate included
1 1/4" x 2" x 1"



#52.518 Bulwark / barrel bolt, spring loaded, with strike; left hand



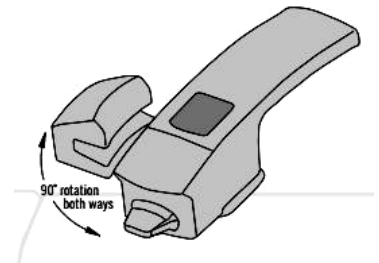
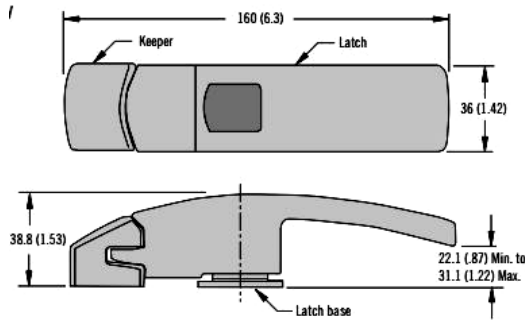
#52.519 Bulwark / Barrel bolt spring loaded with strike; right hand;
Size: 5 1/8" x 2" x 1", Strike 1 1/4" x 2" x 1"



44.55646 **Transom Bolt**
Body: 6.3" x 1.42"
Both Handed
316 stainless steel
Stylish Latch for Transom and Swim Platform doors.

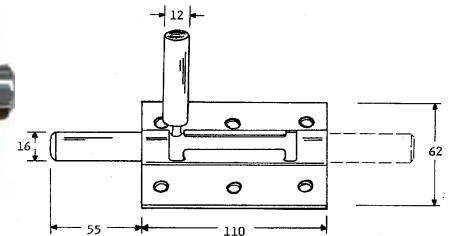
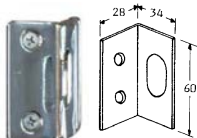


#44.55646 **Transom Bolt / Dive Door Handle**
6.3" x 1.42" Both handed
316 stainless steel

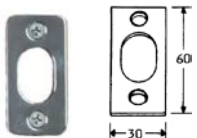


55.206 **Barrel Bolt, heavy duty**
304 stainless steel
Dimensions plate: 62.x 110 mm
Barrel: 16 mm diameter
throw bolt: 55 mm Exterior use

55.207 **Strike angle** 60 x 34 x 28 mm

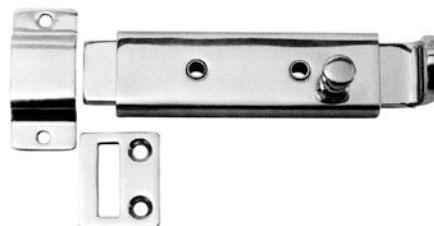


55.208 **Strike flush** 60 x 30 mm



#55.206 Stainless steel barrel bolt plate size: 110 x 62 mm or 4 1/4" x 2 1/2"; Bolt: 16 mm diameter
Finish: Satin or polished 304 stainless steel

44.0604 Transom bolt / barrel bolt;
Size: 4" x 1 1/4" x 1/2"
Throw: 7/8"
316 Stainless Steel



#44.0604 Transom bolt / barrel bolt; Body: 100 X 32 X 12 mm; 4" x 1 1/4" x 1/2";
Throw: 7/8" 316 stainless steel
Strike flush #44.0605; Strike angle #44.0606
EXCELLENT FOR BULWARK DOORS

44.0605 #44.0605 #44.0606



- Stylish latch for transom and swim platform doors
- Intuitive operation with push button and turn handle actuation
- Premium finish and corrosion resistance

Material and Finish:

Handle, Keeper, Base button and Sleeve: 316 grade stainless steel electropolished

Keeper insert: Nylon black

O-ring: EPDM natural

Screw, Spring and Nut: 304 Stainless steel passivated

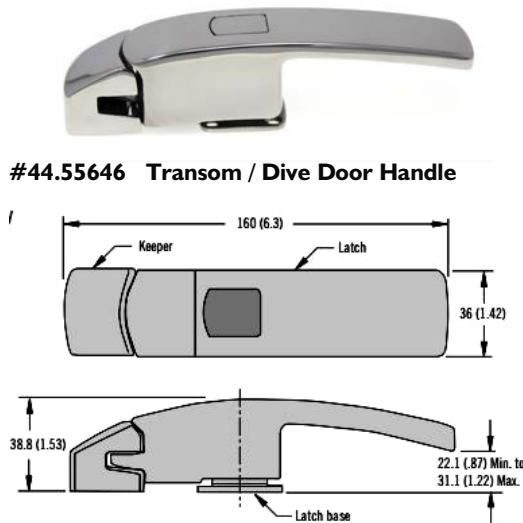
Installation Notes

Fine tuning latch and keeper alignment:

To increase the height of the latch by 3.75mm (.0156 inch), rotate the base of latch 90 degrees clockwise

To decrease the height of the latch by 3.75 (.0156), rotate the base of latch 90 degrees counter clockwise

For every 360 degree turn, the height adjusts 1.5 (.0625)



Install by unscrewing base and adjust height

#44.55646 Transom Bolt / Transom Dive Door Handle
Body: 5.3" x 1.42" Both handed; 316 stainless steel
Medium Duty see page 5-5-1 A and 5-5-1-B for other designs





Izerwaren
Order
numbers
44.2909

- High quality barrel bolts

Barrel bolt:
Overall: 133 X 38 X 19 mm;
5 1/4" x 1 1/2" x 3/4"; Throw: 1 1/8"



44.2909 Transom bolt / barrel bolt 5 inch; 316 stainless steel
Overall: 133 X 38 X 19 mm; 5 1/4" x 1 1/2" x 3/4"; Throw: 1 1/8"

44.5455

Barrel bolt:
Overall: 110 X 38 X 19 mm;
4 3/8" x 1 1/2" x 3/4"; Throw: 1"
316 stainless steel



44.5455 Transom bolt / barrel bolt 4 3/8 inch; 316 stainless steel
Overall: 110 X 38 X 19 mm; 4 3/8" x 1 1/2" x 3/4"; Throw: 1"

92.080

Barrel Bolt, light duty
Dimension plate:
50 x 36 mm or 2 x 1 7/16"
Barrel: 10 mm diameter or 3/8"
throw bolt: 32 mm; 1 1/4"
304 stainless steel



#92.080; small barrel bolt with strike plate; plate size: 50 x 36 mm 2" x 1 7/16";
strike: 30 x 36 mm; 1 3/16" x 1 7/16"; throw: 1 1/4". 304 stainless steel

92.2080

Barrel Bolt, light duty
Dimension plate: 80 x 22 mm
Barrel: flat 12 x 2.5 mm
throw bolt: 20 mm; 3/4"
304 stainless steel



#92.2080 barrel bolt with strike; body: 80 x 22 mm; throw: 20 mm. 3/4 inch
304 stainless steel

92.081

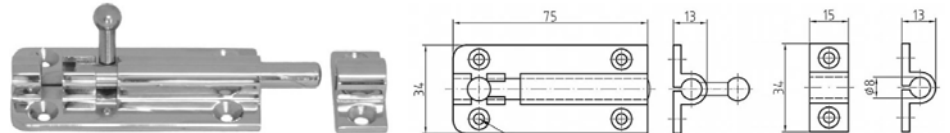
Barrel Bolt, light duty
316 Stainless steel
5" x 1" overall
Bolt: 1/4"; Throw: 1/2"



#92.981 Barrel Bolt; 5" x 1" Bolt: 1/4" diameter; Throw: 1/2" 316 stainless steel

92.2105

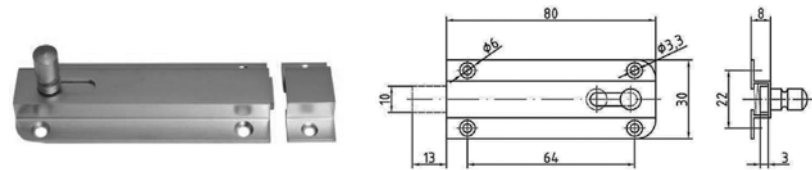
Barrel Bolt, light duty
brass chrome plated
34 x 75 mm
Bolt: 8 mm; Throw: 13 mm



92.2105; Brass chrome plated barrel bolt; 34 x 75 mm; throw: 13 mm

92.3002

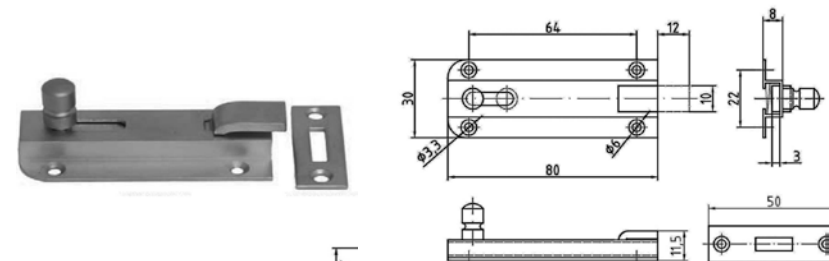
Barrel Bolt, light duty
Brass chrome plated
30 x 80 mm
Bolt flat; Throw: 13 mm



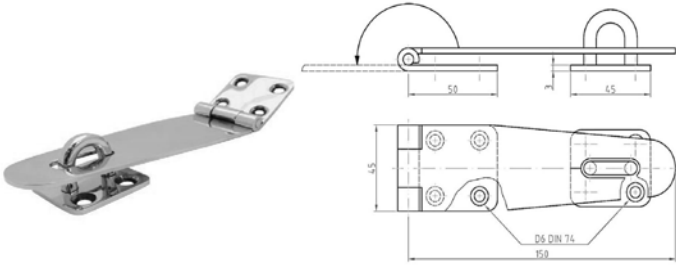
92.3002; Brass chrome plated barrel bolt; 30 x 80 mm; throw: 13 mm

92.3102

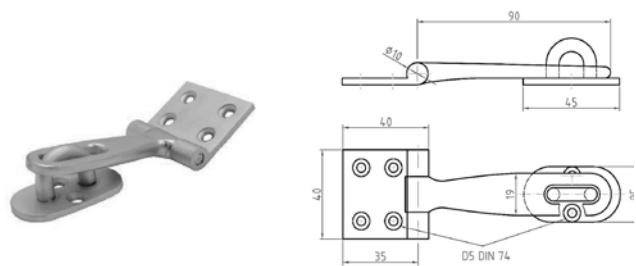
Barrel Bolt, light duty
Brass chrome plated
30 x 80 mm
Bolt offset 8 mm; Throw: 13 mm



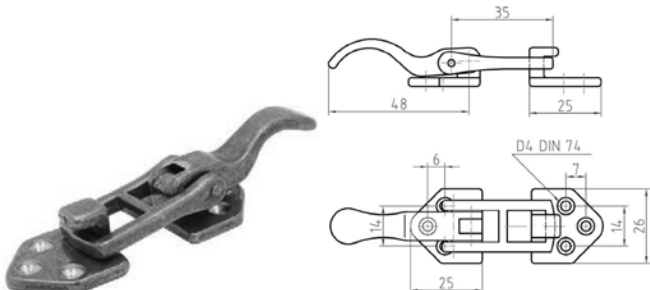
92.3102; Brass chrome plated barrel bolt offset; 30 x 80 mm; throw: 13 mm



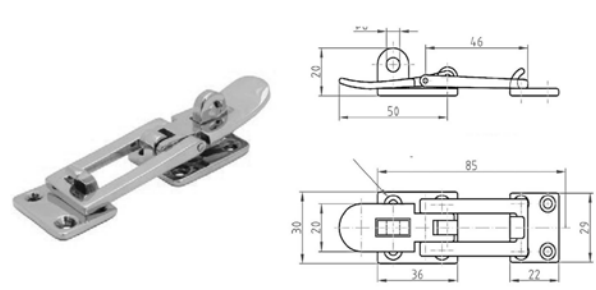
#46.570 Hasp with strike plate 45 x 150 mm (1 3/4 x 5 7/8 inch) Chrome plated.



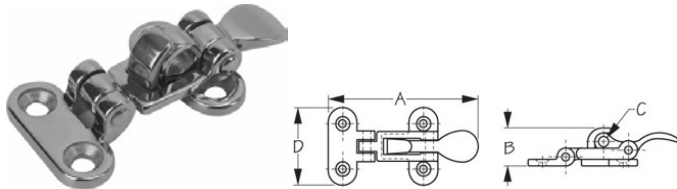
#46.572 Hasp with strike plate 40 x 90 Chrome plated brass



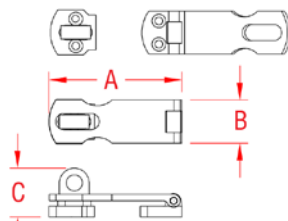
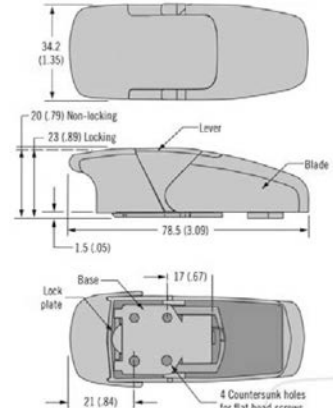
#46.576 Hasp with strike plate; size 95 x 26 mm Chrome plated brass



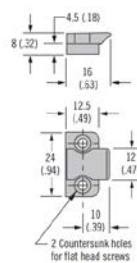
#46.577 Hasp with hook plate Size: 26 x 85 mm Chrome plated brass



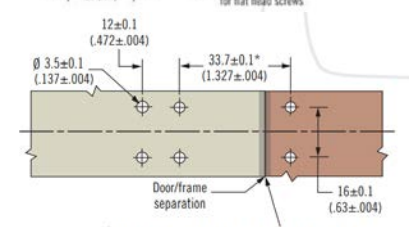
#46.579 Hasp locking model 316 Stainless Steel. A=3 inch; 77 mm; B= 3/4 inch; 19 mm; C= 1/4 inch; 6 mm; D=1 1/2 inch; 38 mm.



#46.3853 Safety Hasp. A= 3 inch; B= 1 inch; C= 1.16 inch Medium Duty. 316 stainless steel.



#46.V7201 Hasp or Draw Latch. 3.09 inch x 1.35 inch x 0.79 inch. 34.2 x 78.5 x 20 mm high; 316 Stainless Steel Mirror Polished.



*Gasket recommended to accommodate panel variations
Installation Drilling Pattern for Draw Latch